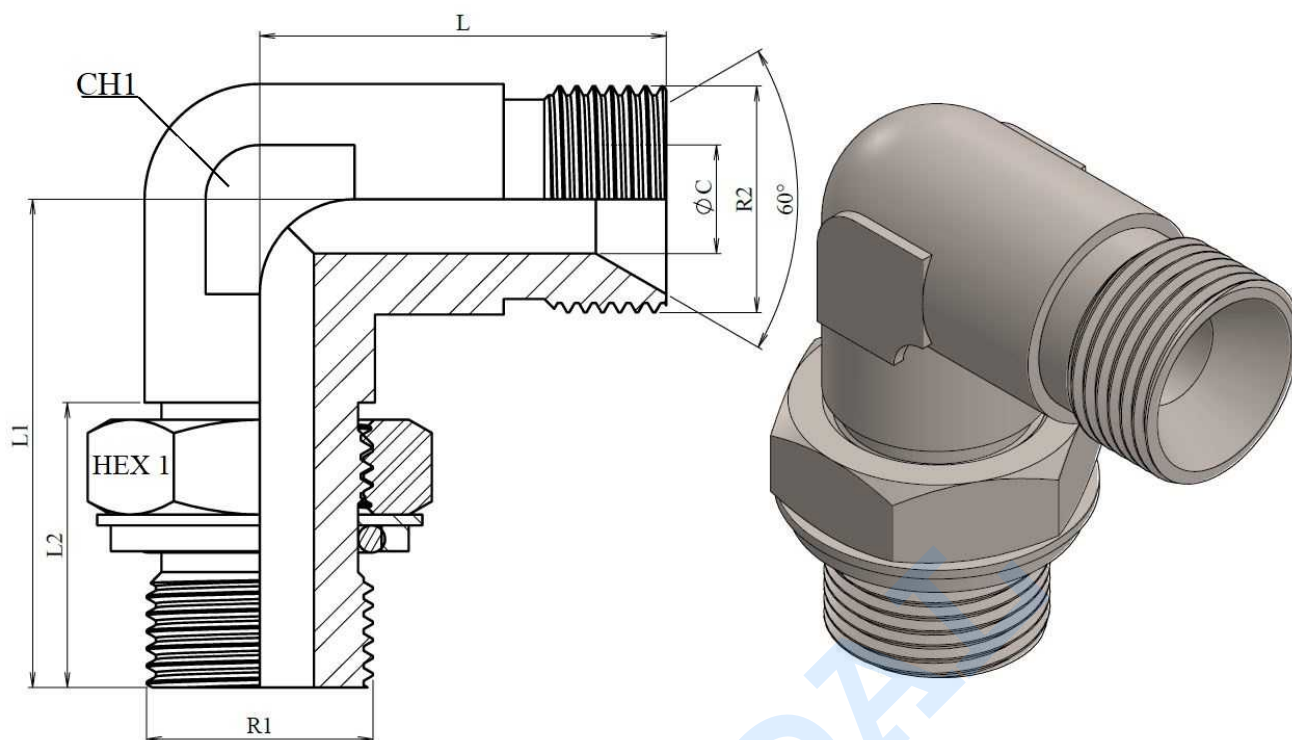


Adaptadores BSP

Codos en forja

## Codo 90° regulable macho - macho BSP

Acero Inoxidable AISI 316-L



Artículo	R1	R2	L	L1	L2	HEX 1	CH1	ØC
<b>Z119704</b>	1/4" BSP	1/4" BSP	26	37	20	19	14	6
<b>Z119706</b>	3/8" BSP	3/8" BSP	30	36	21	22	17	20
<b>Z119708</b>	1/2" BSP	1/2" BSP	35	43	27,5	27	22	11
<b>Z119712</b>	3/4" BSP	3/4" BSP	42	47	29,8	36	27	28,5
<b>Z119716</b>	1" BSP	1" BSP	47	54	31	41	36	22